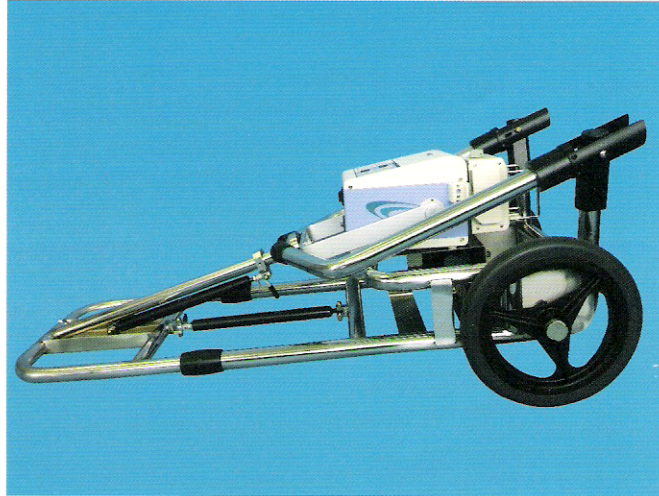
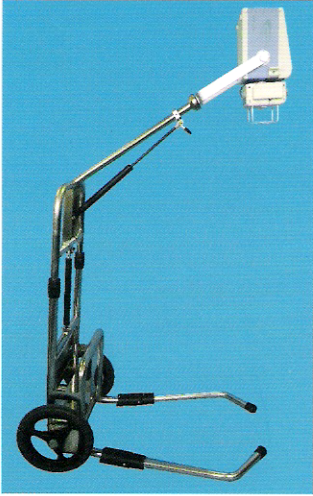


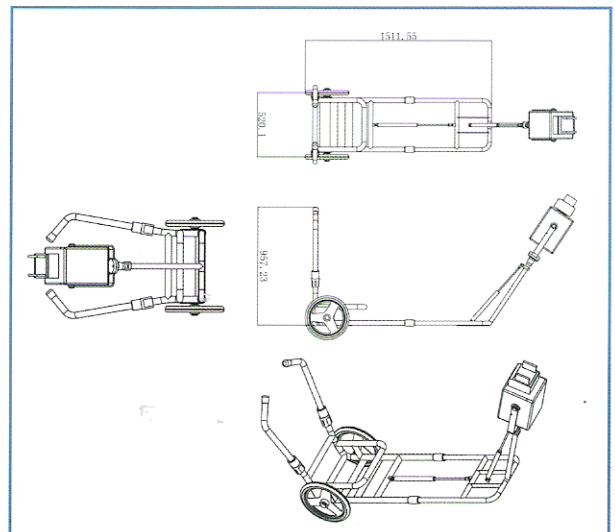
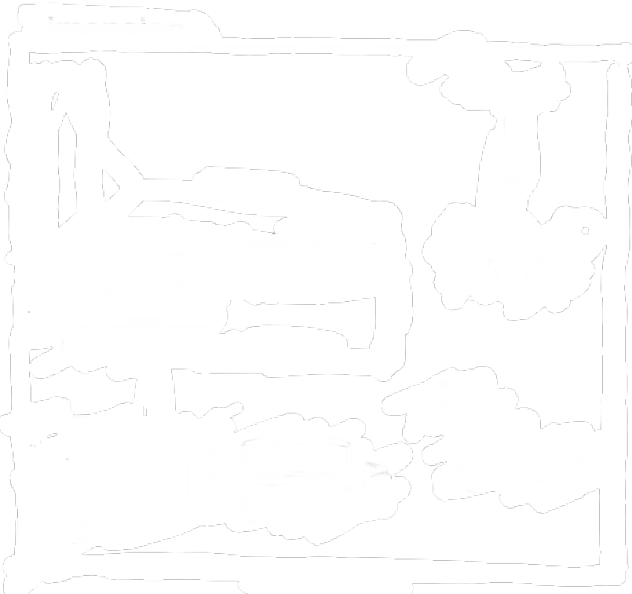
PXP-40 HF & MS-1900 STAND

MOBILE X-RAY SYSTEM

MS-1900 STAND – Total 83 lbs Light weight including portable generator



- Vertical SID Range : 68" to 80"
- Horizontal Arm : 40"
- Height : Max 76-86" , Length : 44 " , Width : 22 "
- Wheel Size : 13 " DIA
- Weight : 83 lbs



MS-1900

ALL SPECIFICATIONS ARE SUBJECT TO CHANGE WITHOUT NOTICE. THE PRODUCTS CONFIRM TO ALL APPLICABLE CDRH RADIATION STANDARDS OF 21 CFR SUBCHAPTER J.



UNITED RADIOLOGY SYSTEMS, INC

151 S. Pfingsten Rd. Suite T
Deerfield, IL 60015

Tel: 847-291-0999 Fax: 847-291-1090

e-mail : sales@united-radiology.com web: www.united-radiology.com