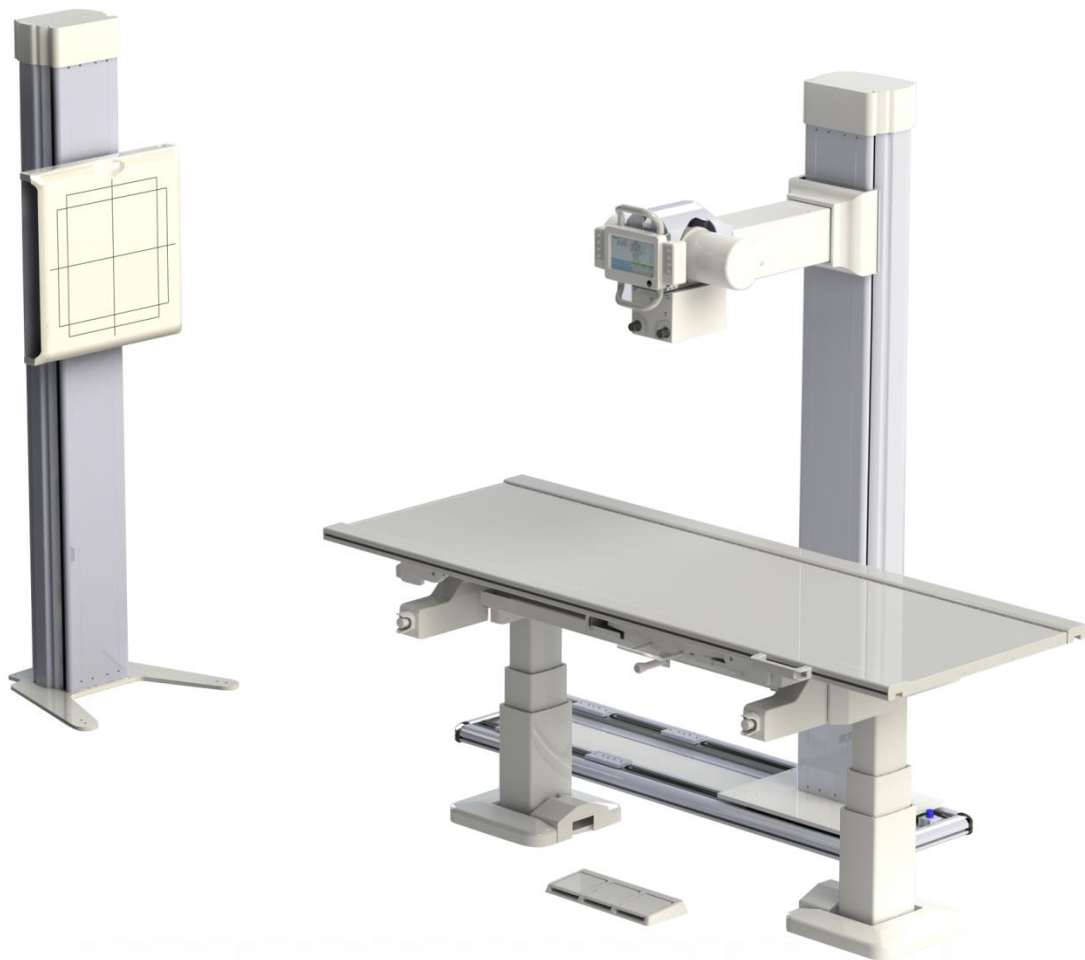


# MasterRad<sup>®</sup>

## *MX30 Medical*

### MasterRad Floor Mount 300 mA Specification Sheet



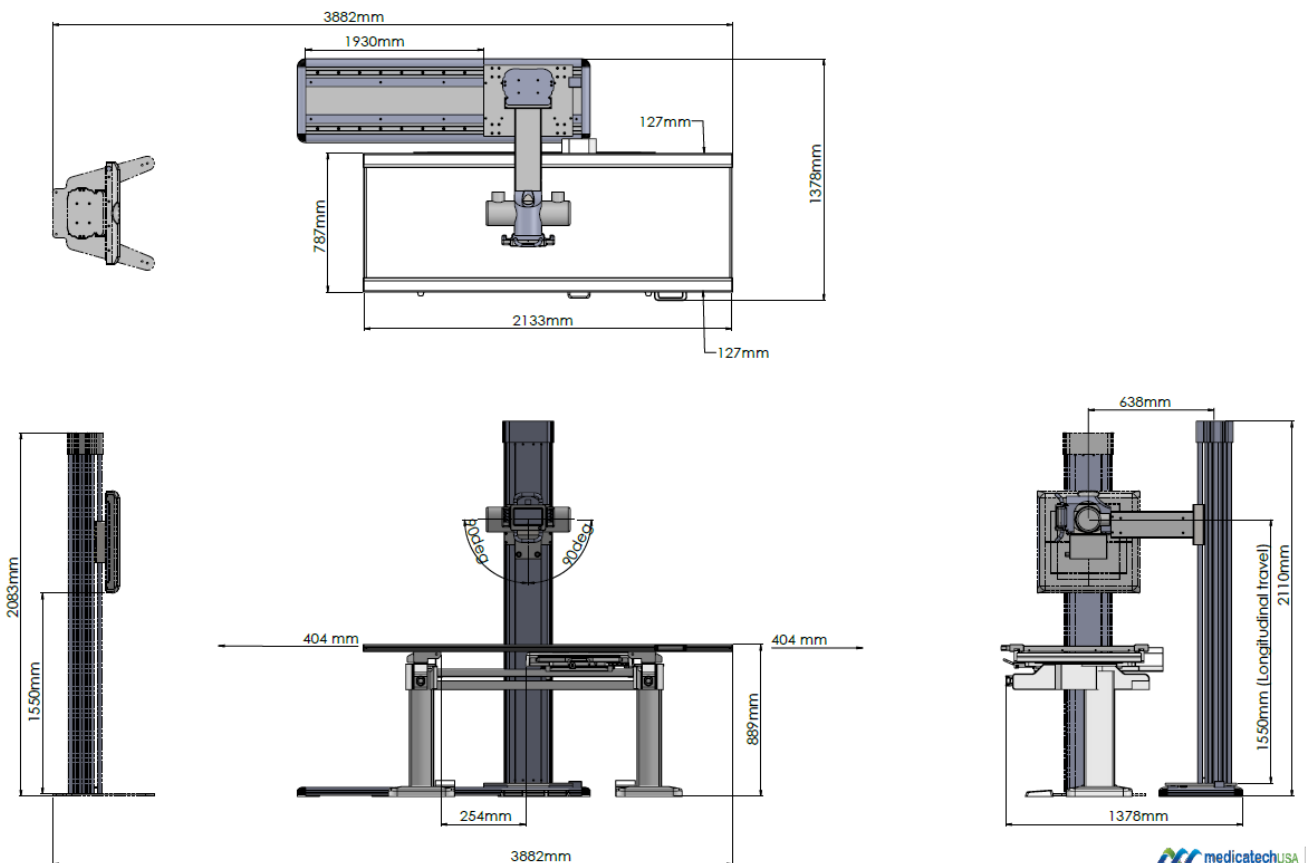
**FULLY PROGRAMMABLE AND CUSTOMIZABLE  
MEDICAL/VETERINARY INTEGRATED RADIOLOGY SOLUTIONS**

## MasterRad floor mount 500 mA

- **Manual floor mount:**
  - 2.4-meter (8') rails.
  - Longitudinal Travel 1930 mm.
  - Movement control: Electromagnetic brakes- 24 VDC, 2 Amps.
- **Tube Stand:**
  - Overall height: 2110 mm.
  - Travel range: 305 mm – 1860 mm.
  - Travel distance: 1550 mm.
  - Focal point to Center floor mount: 6378 mm.
  - Vertical movement control: power-off brakes, 24 VDC, 2Amp.
  - Tube rotation range: -90° to 90°.
  - Tube Rotation total: 180°.
  - 7" LCD touch screen digital control for SID and tube rotation measurements.
- **Chest Stand:**
  - Overall Height: 2083 mm.
  - Travel Range: 305 mm – 1860 mm.
  - Travel distance: 1550 mm
  - Chest Bucky accommodate:
    - 17" x 17" panel.
    - 14" x 17" panel.
    - 103 lines grid.
  - Vertical movement control: power-off brakes, 24 VDC, 2Amp.
- **Non-Elevating Table:**
  - Table top movement:
    - Transverse travel:  $\pm 127$  mm from the center.
    - Longitudinal travel:  $\pm 404$  mm from the center.
  - Table bucky travel:  $\pm 254$  mm from the center.
  - Table height: 889 mm.
  - Table Length: 2133 mm.
  - Table Width: 787 mm.
  - Bucky tray: fits multiple film cassette sizes.
  - 103 lines Grid.
  - Patient load rating: 250 Kg.
  - Electrical requirements:
    - 110/220 VAC 50/60 HZ
    - 3.65 Meters line cord with 220 VAC plug is provided.



- **Collimator:**
  - LED/LASER Collimare Collimator.
- **Tube: Toshiba-Rotanode E7252X:**
  - IEC Classification (IEC60601-1:2005): Class I ME Equipment
  - Electrical:
    - Nominal x-ray tube voltage (IEC60613:2010):
      - Radiographic: 150 KV
    - Nominal focal spot value (IEC60336:2005):
      - Large Focus: 1.2
      - Small Focus: 0.6
    - Anode Heat Content: 210 KJ (300KHU)
- **AEC: 3 field Ion Chamber**



## • **Generator: CMP 200 series (50KW)**

- Application: Radiographic
- Generator type: High Frequency output (max. 480KHz).
- IEC power rating: 50 KW @100 KV for 100ms
- KV<sub>p</sub> Range: 40-150 KV
- mA Range: 10-630 mA
- mAs Range (non-AEC): 0.1-125 mAs.
- Rotor supply: Low speed starter.
- Input phase/Voltage: 1 $\phi$ /215 VAC  $\pm$ 13% (power derating required below 200 VAC).
- Maximum Input current: 20 A.
- High Voltage Ripple: <1 KV @ 100 KV.
- Compatible X-ray tubes: >300 tube models.
- Auto-tube Calibration: standard feature.
- Exposure Timer Range: 1 ms – 6.3 s (10 s, 20 s, 30 s optional)
- Anatomical programs (membrane/touchscreen console): 1024/20,000+ techniques.
- Supported console language: English, French, German, Italian, Spanish, Swedish, Cyrillic (additional available upon request).
- Image Receptors: up to 5.
- Technique selection: KV/AEC, KV/mAs, KV/mA/ms or KV/cm thickness (standard console only).
- Tomography Mode: standard feature.
- Auxiliary Collimator Power supply: standard feature.
- GenWare™ Service software: PC-based diagnostics and technical support.
- Documentation: Manuals on CD (hardcopy optional).
- Options:
  - AEC interface: ionization or solid state.
  - Auxiliary Power with floating Ground: 24 VAC/150 W/3 A.
  - Digital Radiography ready: Available.
  - Digital Radiography Interfaces: CPI RAD VISION™, CANON, IDC, IMIX, Cedara, CMT, ATS, Konica Minolta, Viewworks.
  - Dose Area Product (DAP) Interface: Available.
  - Dual/Multiple energy: Available.
  - Exposure switch: Available.
  - Extended warranty: Available (consult factory).
  - Mini-console controller: Available.
  - Membrane console Pedestal: Available.
  - Membrane console Wallmount: Available
  - Touchscreen console: Available (requires DR option).
  - Touchscreen wall mount: Available (requires DR option).



50 MAXWELL IRVINE, CA 92618 USA



800.817.5030



[WWW.MEDICATECHUSA.COM](http://WWW.MEDICATECHUSA.COM)