

## Premium Vet TS

**The premium choice in veterinary specific x-ray.**

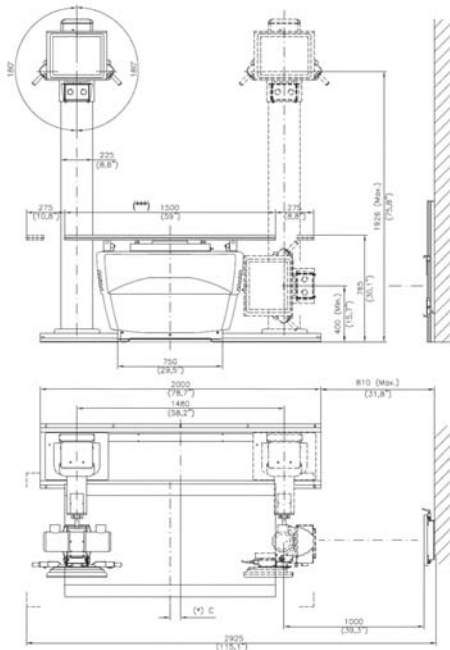
*All the features of the Standard Vet plus Horizontal Beam/Cross Table and Off Table Imaging*

- 15" Touch Screen Console with:
  - Anatomical Program Radiography (APR)
  - Heads up mounting
  - Patient Log files, eliminates hand paper logs
- 32kW/400mA Compact HF Generator
- Hands Free Collimator light control
- Variable SID for table top and cassette tray imaging
- Rotating Tube Head and collimator
- X-ray tube Rotor Brake
- 4 Way Float Top Table - 5ft Standard
- 208/230/240 VAC Single Phase



**SIMPLE  
DEPENDABLE  
SMART**

## Premium Vet TS System Dimensions



### Standard X-ray tube:

1.0/2.0 Focal Spots  
16° Target Angle  
140,000 HU

### Standard Grid Cabinet:

8:1 103 line pair Grid  
Stainless Steel cassette tray

### Other Options Available:

Custom (38" to 72") length table top  
Fractional Focal Spot X-ray tubes  
3 phase and Battery Powered Generators

## Upgrade the Premium Vet TS to Digital

The 15" Touch Screen console will be upgraded to the 17" Single Touch II Integrated Generator console.

### You pick the detector that best fits your need and budget:

Vivix 14 x 17 or 17 x 17 Tethered or Wireless  
Canon 501G or 501C

### The Vet-Ray Digital Upgrade system also includes:

- Acquisition computer and wall mount
- 2mp high resolution 24" monitor
- QXLink PACS and PACS workstation with PC and 24" monitor
- 10 viewing licenses
- 5 years warranty on parts and labor on PC
- 5 year warranty on Vivix digital detector, 2yrs on Canon

All the specific X-ray System Power Requirements and rooms sizes can be found on our Pre-Install Checklist. Please download a copy from [www.vetray.com](http://www.vetray.com)

Exclusive  
Premium Vet  
Wall Stand



Horizontal Beam with  
"Swivel Tube Stand" for  
True Cross Table Imaging