

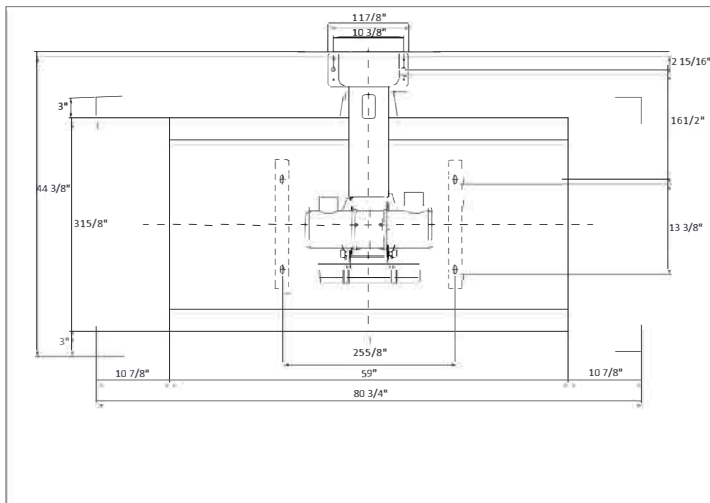
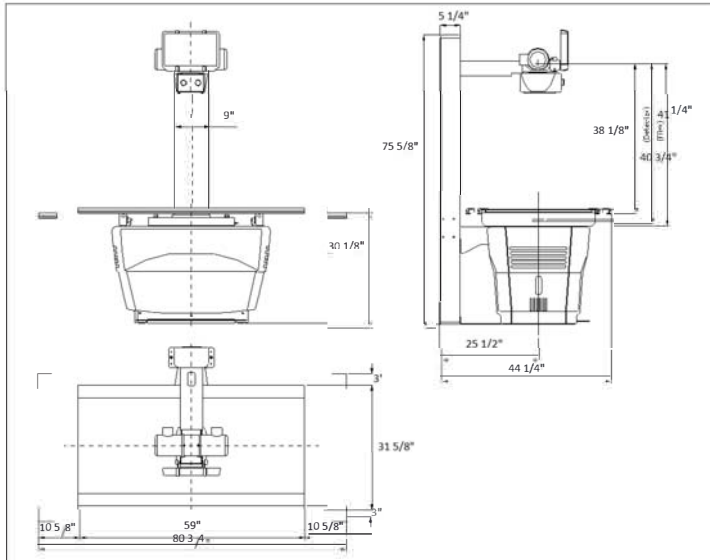
Standard Vet TS

When you need the best Analog X-ray system

- 15" Touch Screen Console with:
 - Anatomical Program Radiography (APR)
 - Heads up mounting
 - Patient Log files, eliminates hand paper logs
- 32kW/400mA Compact HF Generator
- Hands Free Collimator light control
- Variable SID for table top and cassette tray imaging
- Rotating Tube Head and collimator
- X-ray tube Rotor Brake
- 4 Way Float Top Table - 5ft Standard
- 208/230/240 VAC Single Phase



**SIMPLE
DEPENDABLE
SMART**



Standard Vet System Dimensions

Standard X-ray tube:

1.0/2.0 Focal Spots

16° Target Angle

140,000 HU

Standard Grid Cabinet:

8:1 103 line pair Grid

Stainless Steel cassette tray

Other Options Available:

Custom (38" to 72") length table top

Fractional Focal Spot X-ray tubes

Non-certified medical collimator

3 phase and Battery powered generators

Standard Vet Fixed SID column

The Standard Vet Fixed SID is the ideal system for use with a fixed DR detector.

Upgrade the Standard Vet TS to Vet-Ray Digital options

The 15" Touch Screen console will be upgraded to the 17" Single Touch II Integrated console.

All the specific X-ray System Power Requirements and rooms sizes can be found on our Pre-Install Checklist. Please download a copy from www.vetray.com

**SIMPLE
DEPENDABLE
SMART**