

MASTERAD SA1000

Straight Arm System

A compact motorized digital straight arm

The SA1000 provides a cost effective flexible imaging solution that satisfies a wide range of radiographic exams for a wide range of settings such as Urgent care, Doctors' offices as well as Orthopedic practices & Chiropractors.

Any view is *simple* to get with just a *push of a button*.



System

- Single panel multipurpose radiographic straight arm system providing cost effective solutions for a wide range of radiographic exams.
- Compact system, fits in a rooms as compact as 10x10ft.
- Comes pre-configured for your choice of panel.


Compact design allows for small room installations


System integrated with DR software and generator


Pre-programmed positions with the touch of a button

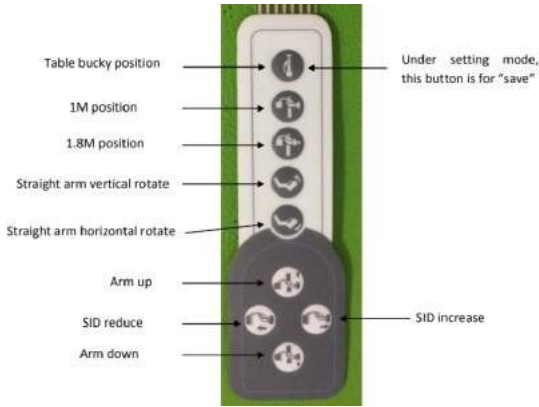

Fully motorized movement of arm into any position

Specifications

M-38	
Maximum x-ray tube voltage	150kvp
Maximum x-ray field	48x48cm at SID 100 cm
Adjustment	Stepless
Light Projection	More than 160 Lux at SID 100cm
Inherent Protection	1.2mm AI equivalent
Radiation Protection	Less than 30mr/hr at 100cm from x-ray tube focal spot.
Projection Lamp	24v - 150w halogen lamp
Lamp timer	Push button, 30 seconds timer
Installed weight of collimator	6.2kg
Power Consumption	24VAC, 7A
Dimensions	182w x 197D x 164Hmm

Collimator

Size	6" x 9" x 6"
Weight	<13 lbs.
Rating	150kVp or 125kVp
Film Coverage	Continuously variable 17" x 17" at 36" SID
Ray Proofing	<50mr/hr at 1 meter from focal spot at 150kVp at 4ma
Light Source	12VDC at 2A, 24VDC, at 1A, 24VAC at 1A
Light Output	>20 foot-candle at 40"
Edge Contrast	5:1 minimum
Lamp Timer	30 second standard, up to 120 second programmable
Inherent Filtration	>1.4 mm aluminum equivalent at 80kVp
Filter Type	Fixed
Mount Type	Fixed mount with 90° rotational detents
Performance Standards	CFR Part 1020 UL 60601-1 idc60825-1
Alignment "Crosshairs"	Transverse & Longitudinal Class I Laser Light Lines



Remote Control

Pre-Programmed Hand Held Remote Control

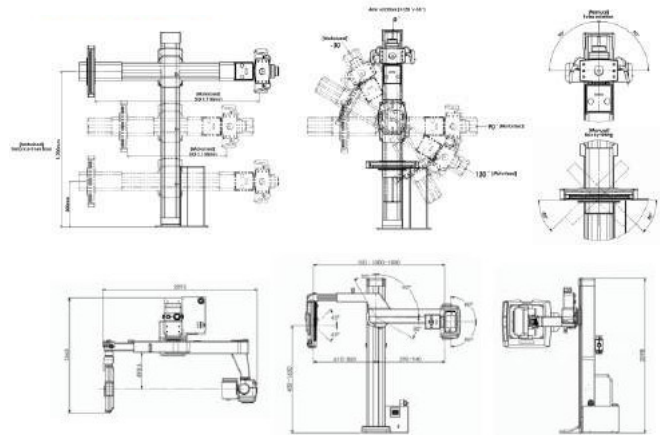
Upgrade and Option:

- Mobile Table
- AEC Ion Chamber Interface
- DAP - Interface

Packaging Information

Weight	420kg	660kg
Dimensions	2310x770x1470 mm	1360x1460x1150 mm

Technical Drawing



Have questions?

We're more than happy to answer your questions! Get in touch with us.



+1 800 817 5030



info@medicatechusa.com



www.medicatechusa.com